

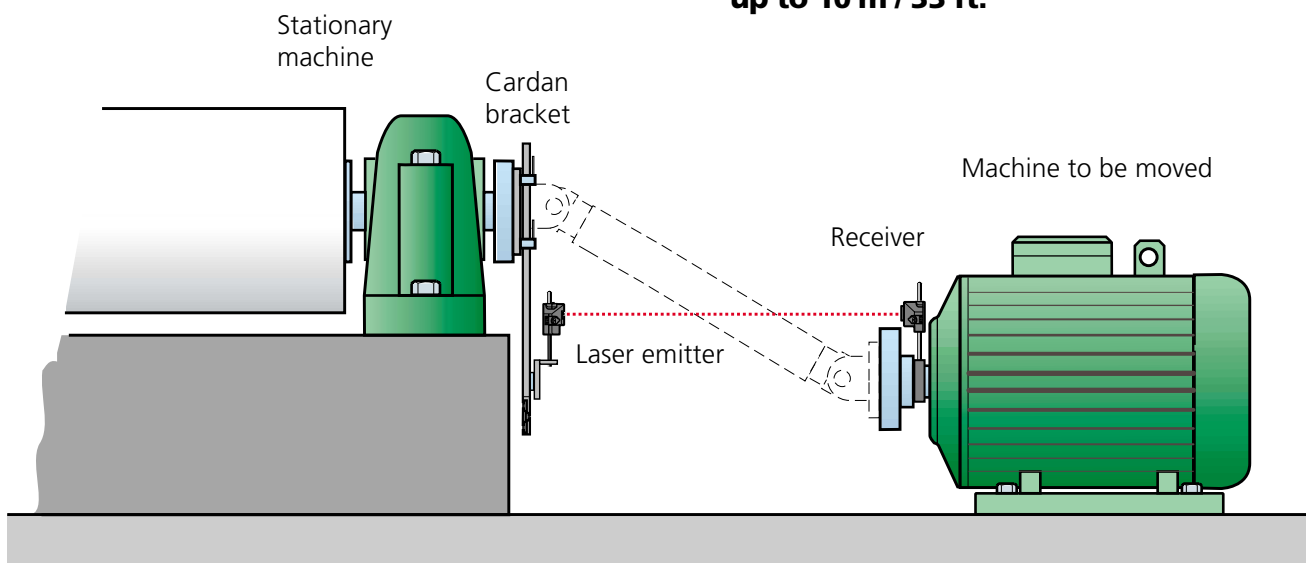
Cardan shaft bracket

ALI 2.893set

For perfect alignment of cardan-coupled shafts

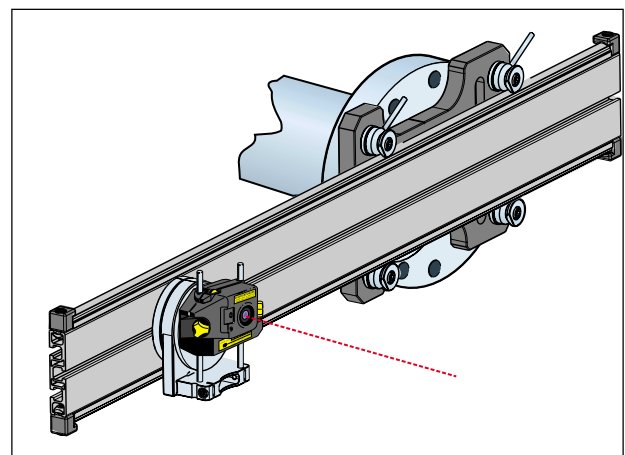
◆ For up to 900 mm / 35 3/8" offset

◆ For measurement separation up to 10 m / 33 ft.



Cardan shafts are normally installed with the spacer shaft set at a considerable angle (usually 4° to 6°) in order to ensure sufficient lubricant circulation, which in turn prevents the universal joints from seizing. Excessive misalignment of such a configuration leads to rapid fluctuation of the driven shaft RPM during operation, which holds particularly grave consequences for electronically-controlled synchronous and asynchronous AC drive motors.

This bracket allows convenient, accurate alignment of machines joined by cardan shafts over separations up to 10 m / 33 ft. and shaft offsets of up to 900 mm / 35 3/8" using ROTALIGN® or ROTALIGN® PRO. The bracket mounts the laser emitter on the coupling face or shaft end of the stationary machine; any other suitable bracket (e.g. ALI 2.106set) can be used to mount the receiver onto the machine to be moved.



Dimensions 1000 x 200 x 110 mm / 39" x 7 7/8" x 4 3/8"
 Weight, complete with case approx. 21 kg / 46 lb.

For detailed information, please consult the Alignment Product Catalog ALI 9.300 available from your local PRÜFTECHNIK AG distributor or from our web site at <http://www.pruftechnik.com>.